

Lifting  
The World



## » TWO WORLDS, ONE IDEA

When Germany's KION Group acquired Baoli in 2009, the company recognised that Baoli's strength in manufacturing price-competitive forklift trucks and warehouse equipment was a perfect complement to the product offering of its Linde Material Handling brand.

Today, Baoli operates in over 80 markets around the world and employs over 700 staff at its Jingjiang city plant, where industry-leading components, technologies and production lines – re-modelled by KION and made in Germany – underpin its operational excellence.

In Australia, Baoli's value range is backed by the nationwide service and support network of Linde Material Handling. With 170 qualified mobile technicians, all trained and graded on

Baoli products, and fully equipped workshops and spare part stores in each capital,

Baoli customers enjoy unrivalled service and support.

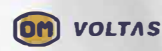
**KION**  
GROUP



STILL



DEMATIC



Linde Material Handling Pty Ltd  
Australian and New Zealand Network Coverage  
Tel: +(61) 2 9831 9500 or 1300 710 310  
Email: [contact@lindemh.com.au](mailto:contact@lindemh.com.au)  
[www.lindemh.com.au](http://www.lindemh.com.au) | [www.baoliforklifts.com.au](http://www.baoliforklifts.com.au)

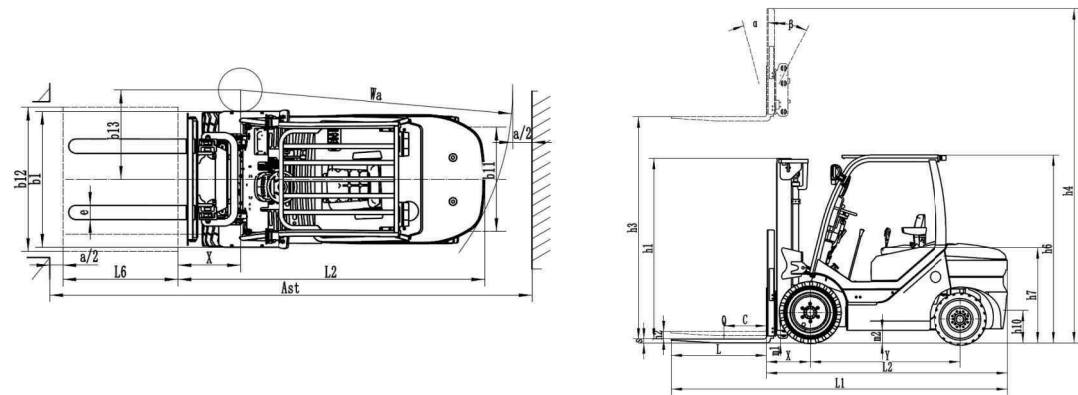
## KBG(D) 18/20/25/30/35 Internal Combustion Forklift





Specifications

		Design Values												
Item Description		Unit	KBG(D)18		KBG(D)20		KBG(D)25		KBG(D)30		KBG(D)35			
Characteristics	1.1	Manufacturer	Baoli											
	1.2	Model	KBG18	KBD18	KBG20	KBD20	KBG25	KBD25	KBG30	KBD30	KBG35	KBD35		
	1.3	Power Unit	Petrol/LPG	Diesel	Petrol/LPG	Diesel	Petrol/LPG	Diesel	Petrol/LPG	Diesel	Petrol/LPG	Diesel		
	1.4	Operation	Seated		Seated		Seated		Seated		Seated			
	1.5	Load capacity / Load	Q (kg)	1800	2000	2500	3000	3500						
	1.6	Load centre distance	c (mm)	500	500	500	500	500						
	1.8	Axle centre to fork face	x (mm)	435	435	484	484	484						
	1.9	Wheelbase	y (mm)	1500	1500	1700	1700	1700						
	Weights	2.1	Service weight	(kg)	3100	3210	3160	3280	31600	3950	4220	4400	3160	4880
		2.2	Axle load with load, front / rear	(kg)	4200/680	4330/680	4440/660	4540/700	6280/480	6340/610	6340/840	6610/580	7180/1000	73000/11000
2.3		Axle load without load, front / rear	(kg)	1280/1820	1340/1870	1320/1960	1280/1820	1880/2200	1880/2250	1680/2540	1820/2640	1550/3130	1640/3240	
Wheels/tyres	3.1	Tyres rubber, SE, pneumatic, polyurethane	S/E											
	3.2	Tyre size, front	6.50-10		6.50-10		28 x 9-15		28 x 9-15		28 x 9-15			
	3.3	Tyre size, rear	5.00-8		5.00-8		6.50-10		6.50-10		6.50-10			
	3.6	Tread width, front	b10 (mm)	940	940	1000	1000	1000						
	3.7	Tread width, rear	b11 (mm)	920	920	970	970	970						
Dimensions	4.1	Mast / fork carriage tilt, forward / backward	α/β (°)	6/12	6/12	6/12	6/12	6/12						
	4.2	Height of mast, lowered	h1 (mm)	2002	2002	2080	2080	2230						
	4.3	Free lift	h2 (mm)	128	128	140	145	145						
	4.4	Lift	h3 (mm)	3000	3000	3000	3000	3000						
	4.5	Height of mast, extended	h4 (mm)	3945	4030	4050	4273	4273						
	4.7	Height of overhead guard (cabin)	h6 (mm)	2065	2065	2108	2108	2108						
	4.8	Height of seat / stand on platform	h7 (mm)	1010	1010	1085	1070	1085						
	4.12	Towing coupling height	h10 (mm)	220	220	300	300	300						
	4.19	Overall length	l1 (mm)	3316	3490	3730	3780	3880						
	4.20	Length to fork face	l2 (mm)	2396	2396	2660	2710	2810						
	4.21	Overall width	b1/b2 (mm)	1140	1140	1225	1225	1296						
	4.22	Fork dimensions DIN ISO 2331	s / e / l (mm)	35/120/920	40/122/1070	40/122/1070	45/125/1070	50/125/1070						
	4.23	Fork carriage to ISO 2328, class / type A, B	ISO II/A	ISO II/A	ISO III/A	ISO III/A	ISO III/A							
	4.24	Width of fork carriage	b3 (mm)	1040	1040	1040	1100	1100						
	4.31	Ground clearance, below mast	m1 (mm)	110	110	135	135	135						
	4.32	Ground clearance, centre of wheelbase	m2 (mm)	115	115	105	140	140						
4.34.1	Aisle width for pallets 1000 x 1200 crossways	Ast (mm)	3815	3835	4124	4144	4224							
4.34.2	Aisle width with pallet 800 x 1200 along forks	Ast (mm)	4015	4035	4324	4344	4424							
4.35	Turning radius	Wa (mm)	2180	2200	2440	2460	2540							
4.36	Turning Point Minimum Distance from the Truck Center Line	b13 (mm)	602	602	810	810	810							
Performance	5.1	Travel speed, with / without load	(km/h)	15.7/16.5	15/16	15.7/16.5	15/15	17/18.2	18.6/19	18.6/19	16.5/17	18/19	16/17	
	5.2	Lifting speed, with / without load	(m/s)	457.3/744.42	445/653	655/694.1	389/645	316/454	436.1/502.5	370/458	522/597	338/478	561/588	
	5.3	Lowering speed, with / without load	(m/s)	403.2/405.04	405/416	519.9/531.9	467/454	469/424	449.8/475.4	479/393	466/383	491/398	459/380	
	5.5	Tractive force (at 2km/h) with / without load	(kN)	19.5/9	11.5/10.7	20/14	11.5/10.7	17/13	15/10	15/10	15/10	16/10	16/10	
	5.7	Max. Gradeability with / without load (at 2km/h)	(%)	20		20		20		20		20		
	5.10	Service brake		Mechanical/hydraulic		Mechanical/hydraulic		Mechanical/hydraulic		Mechanical/hydraulic		Mechanical/hydraulic		
Drive	7.1	Engine Manufacturer/Engine Type	GCT K21	WEICHAI WP32	GCT K21	WEICHAI WP32	GCT K25	WEICHAI WP32	GCT K25	WEICHAI WP32	GCT K25	WEICHAI WP32		
	7.1	Engine (Optional)	-	ISUZU C240	-	ISUZU C240	-	ISUZU C240	-	ISUZU C240	-	Mitsubishi S4S		
	7.2	Engine Power in compliance with ISO 1585	(kW)	32.3	36.8	32.3	36.8	37.4	36.8	37.4	36.8	37.4	36.8	
	7.3	Rated Number of Revolutions	(r/min)	2400	2500	2400	2500	2400	2500	2400	2500	2400	2500	
7.4	Cylinder Number/Displacement	(cm)	4/2095	4/3170	4/2095	4/3170	4/2488	4/3170	4/2488	4/3170	4/2488	4/3170		
Others	7.9	On-board voltage	(V)	12		12		12		12		12		
	8.1	Drive control		Electronic Hydraulic		Electronic Hydraulic		Electronic Hydraulic		Electronic Hydraulic		Electronic Hydraulic		
	10.4	Volume fuel tank	(l/Kg)	45/15	45	45/15	45	45/18	52	45/18	52	45/18	52	
	10.7	Sound pressure level LApZ (at the driver's seat)	(dB (A))	105	107	106	107	107	107	107	109	107	09	
10.8	Drawbar, model/Type DIN		Pin		Pin		Pin		Pin		Pin			



Mast Specifications

KBG(D)18/20								
Mast type	Max. height	Rated capacity load center 500mm		Height		Free-lift height		Mast angle
		1.8T	2.0T	closed height	with carriage	without carriage	with carriage	
VM Standard wide-view	mm	(kg)	(kg)	mm	mm	mm	mm	
	4000	1800	2000	2552	5041	128	128	6/6
	4500	1600	1750	2802	5541	128	128	6/6
VFHM Full free triplex	5000	1450	1500	3052	6041	128	128	3/6
	4350	1550	1700	2102	5391	1489	1101	6/6
	4500	1400	1600	2152	5541	1539	1151	6/6
	5000	1050	1250	2395	6041	1782	1394	6/6
VFHM Full free triplex	5500	980	1120	2629	6541	2016	1628	3/6
	6000	890	1000	2862	7041	2249	1861	3/6

KBG(D)25								
Mast type	Max. height	Rated capacity load center 500mm		Height		Free-lift height		Mast angle
		2.5T	double tyres	closed height	with carriage	without carriage	with carriage	
VM Standard wide-view	mm	(kg)	(kg)	mm	mm	mm	mm	
	4000	2300	2500	2630	5040	140	140	6/6
	4500	1800	2300	2880	5540	140	140	6/6
VFHM Full free triplex	5000	1300	2200	3130	6040	140	140	3/6
	4350	2000	2400	2130	5390	1500	1130	6/6
	4500	1800	2300	2180	5540	1550	1180	6/6
	5000	1500	2100	2423	6040	1793	1423	6/6
VFHM Full free triplex	5500	1100	1800	2657	6540	2027	1657	3/6
	6000	800	1600	2890	7040	2260	1890	3/6

KBG(D)30								
Mast type	Max. height	Rated capacity load center 500mm		Height		Free-lift height		Mast angle
		3T	double tyres	closed height	with carriage	without carriage	with carriage	
VM Standard wide-view	mm	(kg)	(kg)	mm	mm	mm	mm	
	4000	2900	3000	2630	5273	145	145	6/6
	4500	2500	2800	2880	5773	145	145	6/6
VFHM Full free triplex	5000	2000	2700	3130	6273	145	145	3/6
	4350	2600	2900	2130	5623	1501	902	6/6
	4500	2450	2800	2180	5773	1551	952	6/6
	5000	2000	2600	2423	6273	1794	1195	6/6
VFHM Full free triplex	5500	1600	2250	2657	6773	2028	1429	3/6
	6000	1100	2100	2890	7273	2261	1662	3/6

KBG(D)35								
Mast type	Max. height	Rated capacity load center 500mm		Height		Free-lift height		Mast angle
		3.5T	double tyres	closed height	with carriage	without carriage	with carriage	
VM Standard wide-view	mm	(kg)	(kg)	mm	mm	mm	mm	
	4000	3200	3400	2780	5273	145	145	6/6
	4500	2600	3000	3030	5773	145	145	6/6
VFHM Full free triplex	5000	2100	2850	3380	6273	145	145	3/6
	4350	3000	3000	2130	5623	1501	902	6/6
	4500	3000	3000	2180	5773	1551	952	6/6
	5000	2400	2850	2423	6273	1794	1195	6/6
VFHM Full free triplex	5500	1750	2500	2657	6773	2028	1429	3/6
	6000	1200	2200	2890	7273	2261	1662	3/6

NOTE: The performance depicted represents nominal values obtained under typical operating conditions. Performance data may vary due to motor and system efficiency tolerances, and under different working conditions. The description and specifications included on this data sheet were in effect at time of printing. Linde Material Handling Pty Ltd reserves the right to make improvements and changes in specification or design without notice and without incurring obligation.